



gracedigital

Link

Quick Start Guide

 **ioBusinessMusic**

888-688-5962

hello@businessmusic.io

Quick Start Guide Unpacking & Installation

Your ioB+Grace Digital Link device will arrive with the Service + Subscription Plan you have purchased assigned to the device and ready to play.

STEP 1

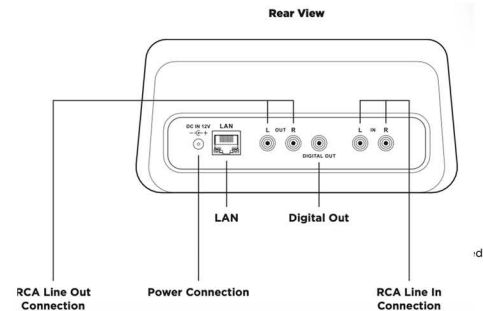
- Unpack the device
- Connect to a power source
- Connect to internet router or other network appliance source

STEP 2

- Press Power/Standby Button
- Press MENU or BACK Button
- Using the TUNE KNOB, navigate to Music Channels and select

STEP 3

- A folder icon will appear and one with the name of the Service + Subscription Plan you have purchased
- Using the TUNE KNOB again, press to select this folder



Home Button

Press to toggle between the Home Menu / Now Playing screen.

Action Panel Button / Now Playing

While on the Now Playing screen, press Now playing to access/ save extra presets 1-100 and view additional song information (when available).

Display Screen

P1 - P10 Number Buttons

Press and hold to set the station you are currently listening to. Press to play a previously saved station. See "My Stuff Folder, Web Portal Registration (Optional)" to save more favorite stations.

Context Sensitive Buttons

These buttons change their functions according to the context. Press to select the function shown on the display screen just above the button.

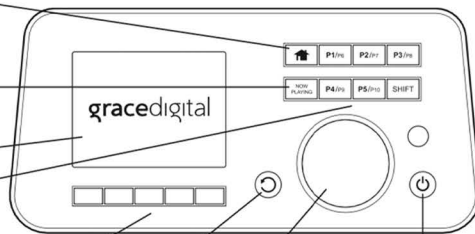
Back Button

Press to return to the previously displayed screen.

Tune Knob (Multifunction)

Turning the knob in a menu or user input screen scrolls through and highlights menus and choices; pressing the knob in a menu or user input screen selects the highlighted item. On the Now Playing screen, turn to adjust the volume; press down to mute and un-mute audio.

Front View



Power/Standby Button

Press to turn On/Standby.

Quick Start Guide Link Troubleshooting Tips

TROUBLESHOOTING TIP #1

A simple **HARD** power recycle will resolve most issues, most of the time.

UNPLUG POWER SOURCE + WAIT 30 SECONDS + RECONNECT TO POWER SOURCE

If your issue persists...

TROUBLESHOOTING TIP #2

Perform a **FACTORY RESET** - which is also pretty simple. Here's how:

Select the **HOME BUTTON** icon on the left side of the screen.

Using the **TUNE KNOB**, navigate to Radio Settings.

Select radio settings and use the **TUNE KNOB** again to navigate to Factory Reset

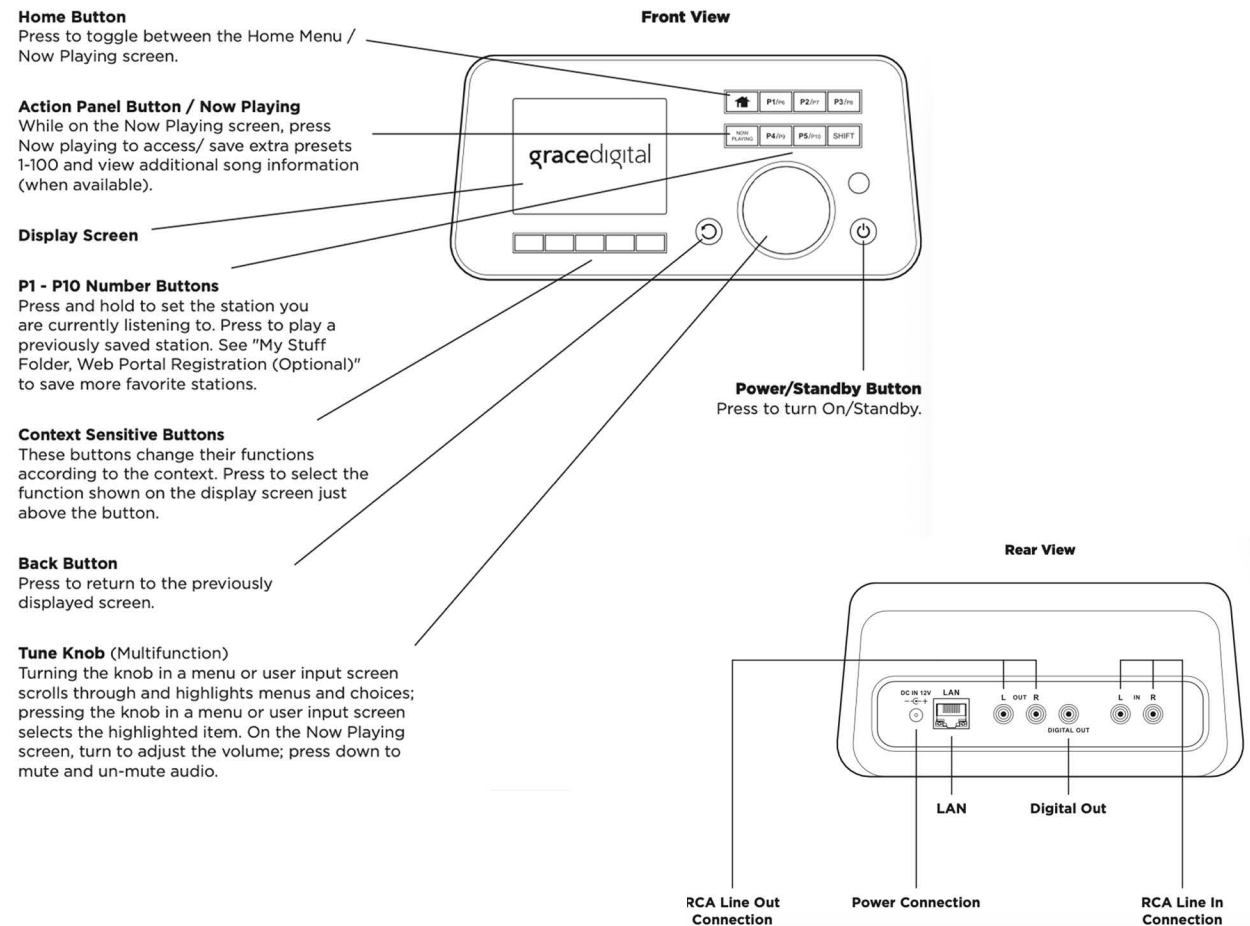
Select + Confirm the Factory Reset

Once the device has reset you will then need to reconnect it to the internet

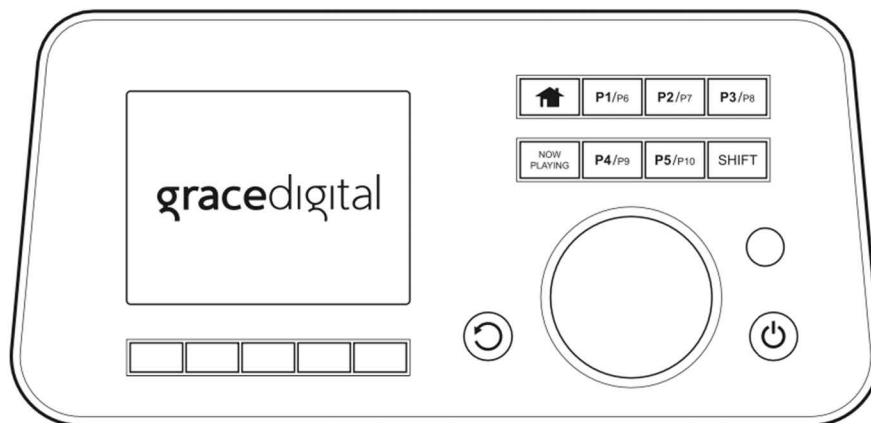
TROUBLESHOOTING TIP #3

GIVE US A CALL. We will have you up and going in no time, most every time.

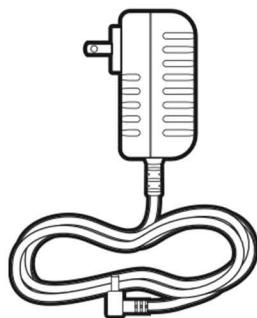
For more advanced troubleshooting and device technical details, refer to the User Manual



Quick Start Guide What's In The Box



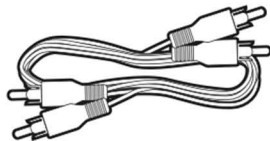
Grace Link



AC Power Adapter



Remote Control



RCA Cable



2 Remote Batteries

Quick Start Guide Link Device Controls

Home Button

Press to toggle between the Home Menu / Now Playing screen.

Action Panel Button / Now Playing

While on the Now Playing screen, press Now playing to access/ save extra presets 1-100 and view additional song information (when available).

Display Screen

P1 - P10 Number Buttons

Press and hold to set the station you are currently listening to. Press to play a previously saved station. See "My Stuff Folder, Web Portal Registration (Optional)" to save more favorite stations.

Context Sensitive Buttons

These buttons change their functions according to the context. Press to select the function shown on the display screen just above the button.

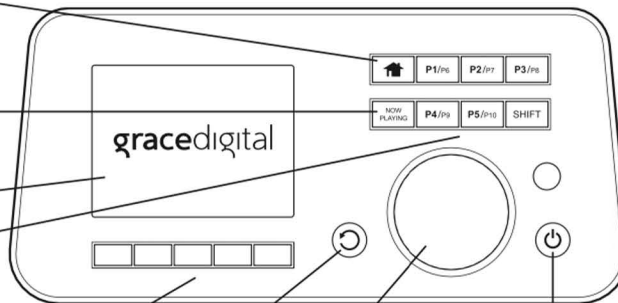
Back Button

Press to return to the previously displayed screen.

Tune Knob (Multifunction)

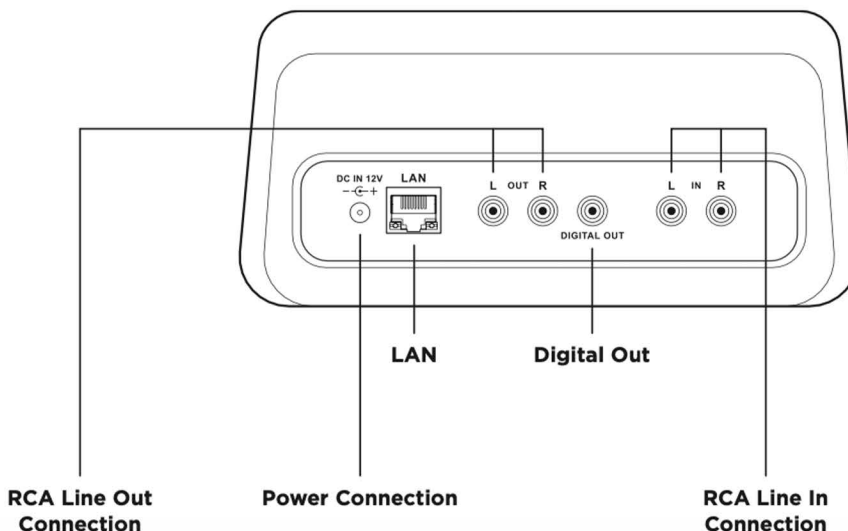
Turning the knob in a menu or user input screen scrolls through and highlights menus and choices; pressing the knob in a menu or user input screen selects the highlighted item. On the Now Playing screen, turn to adjust the volume; press down to mute and un-mute audio.

Front View



Power/Standby Button
Press to turn On/Standby.

Rear View



Quick Start Guide Link Navigation Basics

Power Button

The **Power Button** turns the Grace Link on or places it in Standby Mode. Also press to turn an alarm off.



Context Sensitive Buttons (5)

These buttons change their functions according to the context. Press to select the function shown on the display screen just above the button. These buttons are described in this User Guide in the context where they appear.



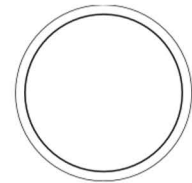
Tune Knob

The **Tune Knob** is multifunction: you can turn it clockwise or counter-clockwise and press it.

Turn: When in menus or user input screens, turning the **Tune Knob** scrolls through and highlights menu items and choices.

Press: Press the **Tune Knob** inward to select the currently highlighted item.

Volume: Turning the **Tune Knob** when you are on the Now Playing screen will adjust the volume. Turning the **Volume Knob** clockwise or counter-clockwise increases or decreases the volume of the audio. Pressing the **Volume Knob** mutes and unmutes the audio.



NOTE: Volume control works for headphone jack and analog audio output. Digital output is a fixed line output as it bypasses our internal DAC to provide a pure digital signal, so you must use your stereo for volume control for the digital input signal.

Presets P1 - P10

While on the Now Playing screen press and hold P1-P5 to save the currently playing station. Press **SHIFT** to save or play P6-P10.



To access the extra Preset menu (P1-P100), while on the Now Playing screen press the **Now Playing Button**. This brings up extra song information and the Preset button at the bottom of the screen. Press the **Context Sensitive Button** below the word 'Preset' to access, save, and delete Presets 1-100.

Back Button

The **Back Button** returns back to the previously displayed screen or Home Screen.



Home Button

Pressing the **Home Button** will bring you back to the main Home Screen.



Now Playing Button

Press the **Now Playing Button** to go back to the Now Playing screen. If you are already on the Now Playing screen, you can access extra presets and song info.



Quick Start Guide Link Remote Control

Power/Standby Button

Press to turn On/Standby.

EQ, Alarm, Sleep, Snooze

Home Button

Press to display the Home screen.

Back Button

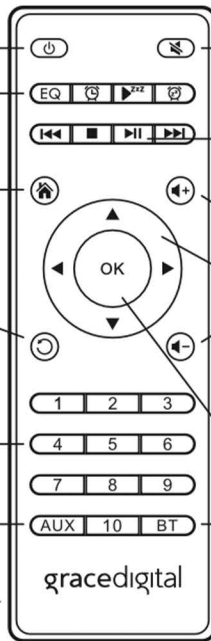
Press to return back to the previous display screen.

1-10 Number Buttons

Press and hold to set the station you are currently listening to. Press to play a previously saved station. See "My Stuff Folder, Web Portal Registration (Optional)" to save more favorite stations.

Battery Replacement

The Remote Control uses two AAA batteries.



Mute Button

Press to silence the audio.

Play/Pause Button

Press to pause or resume playing. (Limited Support)

Vol+/Vol- Buttons

Press to increase or decrease the audio volume.

Arrow Buttons

Press in a menu or user input screen to scroll through and highlight menu items and choices.

Select (OK) Button

When the radio is on the Now Playing screen - press and hold the OK button to access and save presets 1-100

Line in Button

Select Line in as audio source.

Bluetooth Button

Select Bluetooth as audio source.

NOTE: Volume control works for analog audio output. Digital output is a fixed line output as it bypasses our internal DAC to provide a pure digital signal, so you must use your stereo for volume control for the digital input signal.

Quick Start Guide Link Advanced Features

Equalization Settings

You can adjust the equalization of the Grace Link (EQ) to adjust for room acoustics and your listening preferences. You can optimize your audio profile using the integrated 5 band equalizer, or you can select a Preset such as Rock, Jazz, etc.

To Change Equalization:

If you want to select an Equalization Preset, do the following:

1. Press **Home**, then select Settings, then turn the **Tune Knob** to highlight Equalization. Press the **Tune Knob** to select.
2. Turn the **Tune Knob** to highlight Select EQ Preset and press the **Tune Knob** to select.
3. Turn the **Tune Knob** to highlight one of the Presets: Custom, Factory Default, Jazz, Talk, Rock, Classical, Vocal. Press the **Tune Knob** to select. A checkmark in the box next to the Preset indicates that it has been selected.

If you want to adjust the 5 band equalizer, do the following:

1. Press **Home**, then select Settings, then turn the **Tune Knob** to highlight Equalization. Press the **Tune Knob** to select.
2. Turn the **Tune Knob** to highlight Modify Custom EQ and press the **Tune Knob** to select.
3. Turn the **Tune Knob** to highlight one of the 5 bands: 60Hz, 250Hz, 1KHz, 6KHz and 16KHz. Press the **Tune Knob** to select the band you wish to modify.
4. Turn the **Tune Knob** to adjust the equalization and press the **Tune Knob** to select the setting. Now you can turn the **Tune Knob** again to highlight another one of the remaining 4 bands, if you wish to make more adjustments.

Deep Sleep Mode

To place the radio into Deep Sleep mode, press the radio's or remote's **Power Button** for 3-4 seconds. To get out of Deep Sleep mode press the **Power Button** for 1-2 seconds. It will take the radio about 1 minute to completely power back on to be ready to play.

In Deep Sleep mode all functions are disabled including the alarm, remote, Wi-Fi, Ethernet, and Bluetooth connections. This reduces power consumption. Since all operations are turned off you will not be able to see the radio on your network or turn it back on with the infrared remote control. For typical daily use Deep Sleep mode is not suggested or needed.

Presets, settings, and passwords are saved even in deep sleep mode, and during power outages.

Master Power Off

In order to completely turn your radio off, without having to unplug the power cable please select **Master Power Off**. This will completely turn the radio off. All your settings, password, presets will remain saved in this mode. To delete all settings refer to **Factory Reset** on page 32.

Quick Start Guide Link Advanced Features

Network Info

Network Info displays the details of the current network configuration of the Grace Link. The MAC address of the Grace Link can be found in the network info.

1. Press the **Home Button** and turn the **Tune Knob** to highlight Settings. Press the **Tune Knob** to select.
2. Turn the **Tune Knob** and highlight Network Info and press the **Tune Knob** to select.
3. The current network configuration will be displayed. Turn the **Tune Knob** to scroll through the configuration details.

Firmware Update

Grace Digital may occasionally update the software for the Grace Link and it is recommended that you always update the software when new software becomes available. The Grace Link will automatically check for software updates when you turn it on, but you also can manually check for any available software updates.

1. Press the **Home Button** and turn the **Tune Knob** to highlight Setup. Press the **Tune Knob** to select.
2. Turn the **Tune Knob** to highlight Firmware Update and press the **Tune Knob** to select.
3. If the Grace Link has already detected that a software update is available, it will show a software update available.

If not, the Grace Link will check for a software update. If no update is available, the Grace Link will display “No new updates”.
4. If a software update is available, turn the **Tune Knob** to highlight Install update and press the **Tune Knob** to select.
5. The software update will be applied to the Grace Link. **Do not turn the Grace Link off during the update, or disconnect the Grace Link power.** When complete, the Grace Link will restart to complete the update, and display “Please press the POWER button”.

Radio Info / Change Radio Name

The Info option displays information about the Grace Link serial number and software version.

1. Press the **Home Button** and turn the **Tune Knob** to highlight Settings. Press the **Tune Knob** to select.
2. Turn the **Tune Knob** to highlight Info and press the **Tune Knob** to select. The information will be displayed.

You can change the name of your radio by selecting Radio Info then highlight and select Device Name. The new name will now show up in Chromecast-enabled apps, used for Google Assistant, and broadcast via Bluetooth.

Quick Start Guide Link Advanced Features

Factory Reset

The Factory Reset option restores the Grace Link to the factory settings. It will erase all the stored network settings, SiriusXM streaming username and password, presets, alarm clock settings, and set all other options back to the factory settings.

1. Press the **Home Button** and turn the **Tune Knob** to highlight Settings. Press the **Tune Knob** to select.
2. Turn the Tune Knob to highlight Factory reset and press the Tune Knob to select.
3. Confirm that you really want to proceed with the factory reset. Confirm factory reset will be highlighted. Press the **Tune Knob** to proceed with the factory reset, or press the **Back Button** to abort the factory reset.
4. The screen will display “Restoring factory defaults”, restart the Grace Link when complete and display “Please press the POWER button”.

NOTE: You will have to connect the Grace Link to a network (see “Connect to a Wireless Network”).

Display Settings

There are three different brightness backlight settings, and each type of backlighting can be set to a brightness from 0 to 20. In addition, each of the backlight settings can be set for two times of the day. This allows you to have two separate groups of settings, one for the daytime and one for the nighttime. Select the first option and set the time of day for that option, then you will be able to set the active, inactive, and standby settings for that time frame. Repeat the settings for your nighttime mode.

Active: This setting controls the brightness of the display screen when the Grace Link is On, and you are interacting with the Grace Link by pressing buttons, etc. After 30 seconds of inactivity, the display changes to the inactive setting.

Inactive: This setting controls the brightness of the display screen when the Grace Link is On, but you have not interacted with the Grace Link by pressing buttons, etc., for 30 seconds. You might use this setting to set the brightness when in a darkened room as you are falling asleep while listening to the Grace Link.

Standby: This setting controls the brightness of the display screen when the Grace Link is in Standby Mode.

To Set the Display Brightness:

1. Press the **Home Button** and turn the **Tune Knob** to highlight Settings. Press the **Tune Knob** to select.
2. Turn the **Tune Knob** to highlight Display Settings and press the **Tune Knob** to select.
3. Turn the **Tune Knob** to highlight Display Brightness and press the **Tune Knob** to select.
4. Turn the **Tune Knob** and highlight Active, Inactive, or Standby and press the **Tune Knob** to select.
5. Turn the **Tune Knob** to the desired setting, 0 to 20 and press the **Tune Knob** to select your setting.

Quick Start Guide Link Advanced Features

Optionally - When the radio is in Standby Mode, you can rotate the **Tune Knob** to temporarily change the standby backlight brightness. This is perfect to make the display 100% dark while sleeping, or brighter to see the clock.

To Set the Default Inactive Screen:

You can select either the Now Playing screen or large Time and Date Screen to be displayed when the music is playing.

1. Press the **Home Button** and turn the **Tune Knob** to highlight Settings. Press the **Tune Knob** to select.
2. Turn the **Tune Knob** to highlight Display Settings and press the **Tune Knob** to select.
3. Turn the **Tune Knob** to highlight Default Inactive Screen and press the **Tune Knob** to select.
4. Turn the **Tune Knob** to highlight either Now Playing Screen or Large Time and Date Screen. Press the **Tune Knob** to select.

Inactive Display Time Delay:

Allows the ability to change the duration of time that the radio will take to go from your active backlight setting to the inactive setting.

1. Press the **Home Button** and turn the **Tune Knob** to highlight Settings. Press the **Tune Knob** to select.
2. Turn the **Tune Knob** to highlight Display Settings and press the **Tune Knob** to select.
3. Turn the **Tune Knob** to highlight Inactive Display Time Delay and press the **Tune Knob** to select.
4. Turn the **Tune Knob** to highlight Playback or No playback and press the **Tune Knob** to select.
5. Turn the **Tune Knob** to adjust the chosen time delay and press the **Tune Knob** to select.

Clock Color:

Allows the ability to change the default clock color from Blue to Red or Gray, when in Standby Mode. Red is the color that sleep experts often recommend for the best night's sleep.

1. Press the **Home Button** and turn the **Tune Knob** to highlight Settings. Press the **Tune Knob** to select.
2. Turn the **Tune Knob** to highlight Display Settings and press the **Tune Knob** to select.
3. Turn the **Tune Knob** to highlight Inactive Display Time Delay and press the **Tune Knob** to select.
4. Turn the **Tune Knob** to highlight Clock Color and press the **Tune Knob** to select.
5. Turn the **Tune Knob** to highlight either Blue clock / blue background, Red clock / black background, or Dark gray clock / black background. Press the **Tune Knob** to select.

NOTE: To minimize the brightness of the display in a dark room, the third darkest settings in all three color modes do not display the date. Also, the second darkest settings in the Blue and Red Clock modes change the clock to a dark gray color.